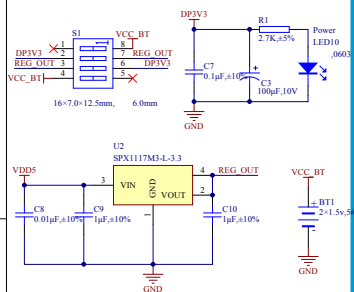
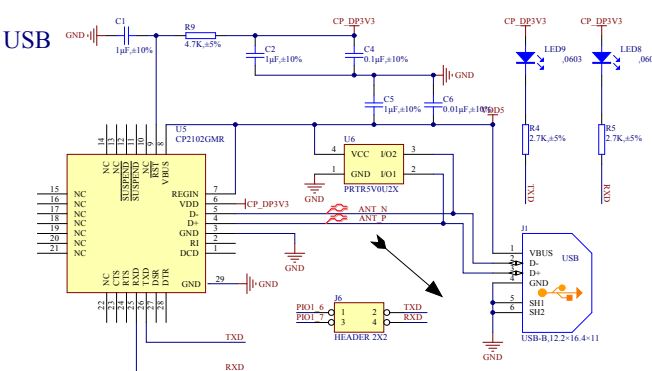


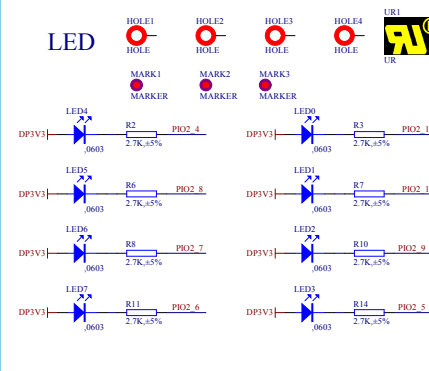
POWER



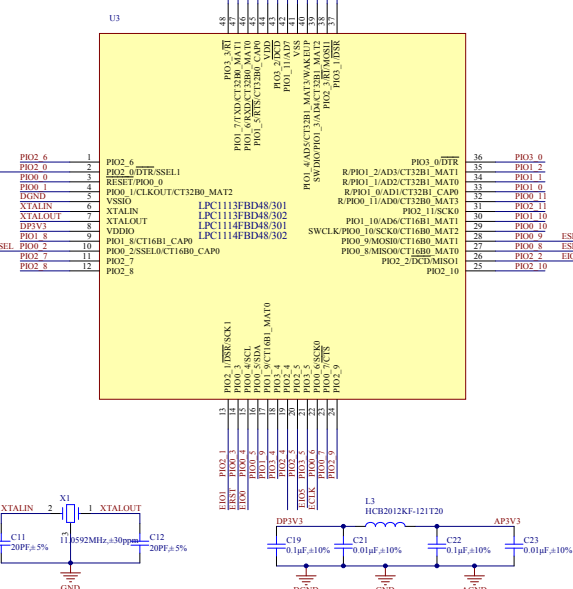
USB



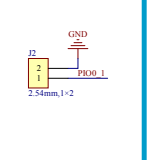
LED



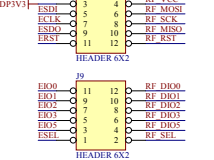
MCU



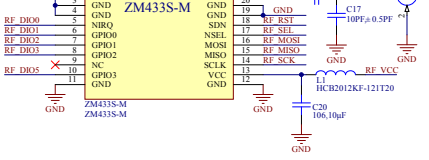
ISP



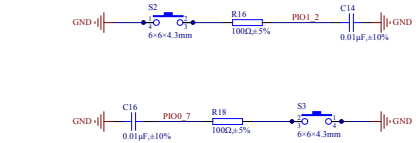
ZM470SX-M



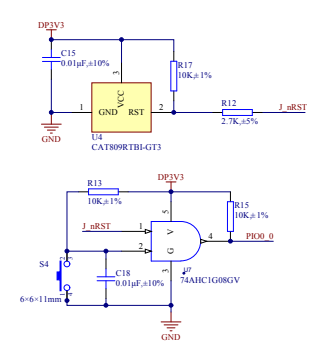
ZM433S-M



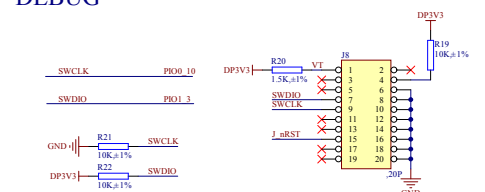
KEY



RST



DEBUG



Title			
Size	Number	Revision	
A2	R2		
Date:	2016/7/12	U:ZM433S-M-DEMO Rev. 4	Sheet of 4
File:	U:	U:ZM433S-M-DEMO Rev. 4	Sheet of 4